



Buy it for looks. Buy it for life.®

*There is more than 1 version of this model.
Page down to identify the version you have.*

FAUCET DESCRIPTION

- Metal construction with various finishes identified by suffix
- Inlet shanks will accept 1/2" ball nose connections
- With Protégé® side spray
- Duralock™ Quick Connect Installation

OPERATION

- Lever style handle
- Hot side counter-clockwise to open (clockwise to close), cold side clockwise to open (counter-clockwise to close)
- Will operate with less than 5 lbs. of force

FLOW

- Aerator is limited to 1.5gpm max (5.7 L/min)

CARTRIDGE

- 1224 cartridge design
- Nonmetallic/nonferrous and stainless steel material

STANDARDS

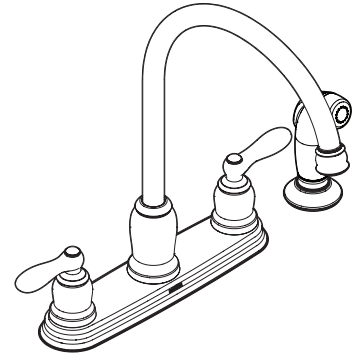
- Third party certified to ASME A112.18.1/CSA B-125.1 and all applicable requirements referenced therein including NSF 61/9 & 372
- Meets CalGreen and Georgia SB370 requirements
- Complies with California Proposition 65 and with the Federal Safe Drinking Water Act
- ADA ♿ for lever handles

WARRANTY

- Limited lifetime warranty against leaks, drips and finish defects to the original homeowner
- 10 year limited warranty when used in a multifamily installation
- 5 year warranty when used in a commercial installation

Visit www.moen.com/support for complete details and limitations

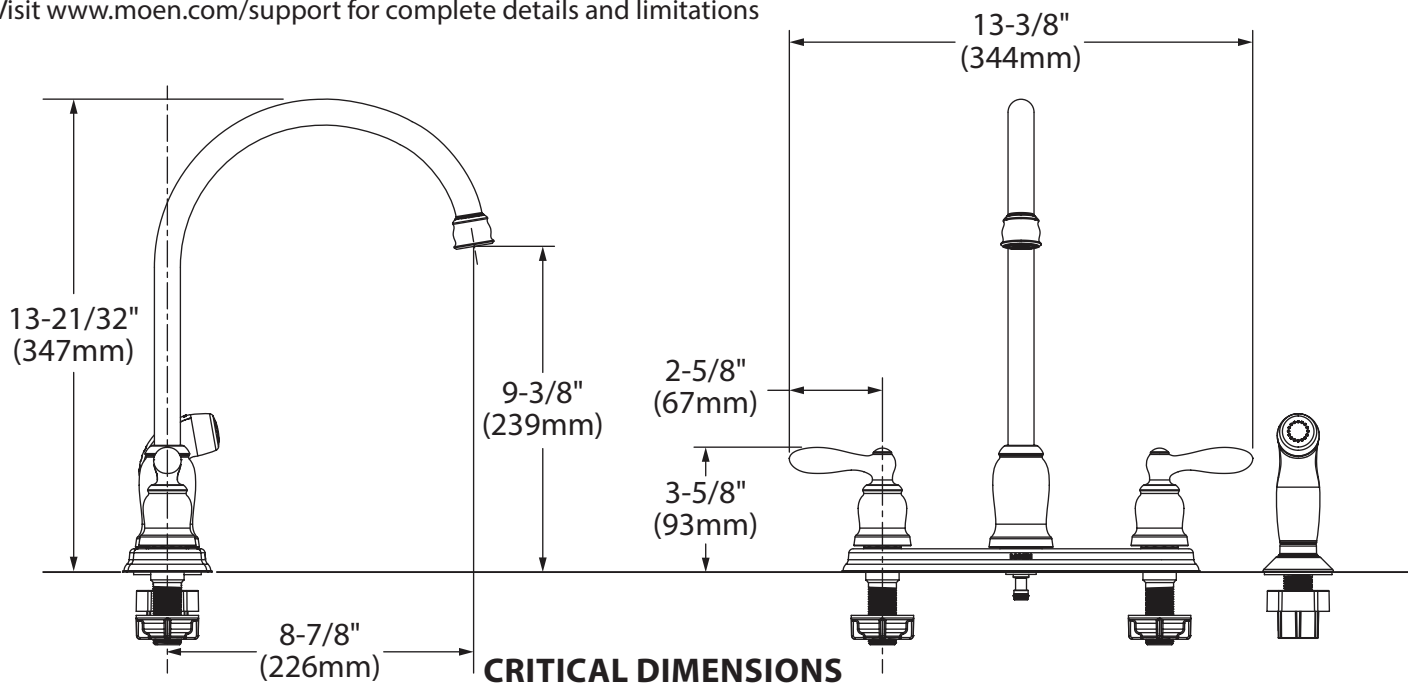
Specifications



Caldwell™
Two Handle Lever Kitchen Faucet
with Protégé® Side Spray

Models: CA87060 series

NOTE: This faucet is designed to be installed through 3 or 4 holes 1" Min. Dia.





Buy it for looks. Buy it for life.®

Specifications

FAUCET DESCRIPTION

- Metal construction with various finishes identified by suffix
- Inlet shanks will accept 1/2" ball nose connections
- With Protégé® side spray

OPERATION

- Lever style handles
- Hot side counter-clockwise to open (clockwise to close), cold side clockwise to open (counter-clockwise to close)
- Will operate with less than 5 lbs. of force

FLOW

- Aerator is limited to 1.5 gpm max (5.7 L/min)

CARTRIDGE

- 1224 cartridge design
- Nonmetallic/nonferrous and stainless steel material

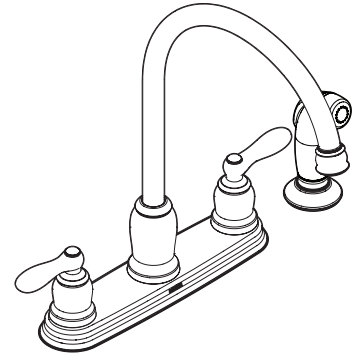
STANDARDS

- Third party certified to ASME A112.18.1/CSA B-125.1 and all applicable requirements referenced therein including NSF 61/9 & 372
- Meets Georgia SB370 requirements
- Complies with California Proposition 65 and with the Federal Safe Drinking Water Act
- ADA ♿ for lever handles

WARRANTY

- Limited lifetime warranty against leaks, drips and finish defects to the original homeowner
- 10 year limited warranty when used in a multifamily installation
- 5 year warranty when used in a commercial installation

Visit www.moen.com/support for complete details and limitations



Caldwell™
Two Handle Lever Kitchen Faucet
with Protégé® Side Spray

Models: CA87060 series

NOTE: This faucet is designed to be installed through 3 or 4 holes 1" Min. Dia.

